

nice

V. 003

**Radiocomando
serie FLOR e
VERY
ricevitori
modulari
FLOXMR
FLOXM220R**

**FLOR and
VERY Radio
control series,
modular
receivers
FLOXMR
FLOXM220R**

**Radiocommande
série FLOR et
VERY
récepteurs
modulaires
FLOXMR
FLOXM220R**

**Funksteuerung
Serie FLOR
und VERY
Modulare
Empfänger
FLOXMR
FLOXM220R**

**Radiocontrol
serie FLOR y
VERY
receptores
modulares
FLOXMR
FLOXM220R**

**Manuale di
istruzioni per
l'installazione**

**Installation
instruction
manual**

**Manuel
d'instructions
pour l'installation**

**Installation-
sanleitungen**

**Manual de
instrucciones
para la instalación**

nice

CE

INTRODUCTION

When a radio control system is used the transmitter sends a “signal” to the receiver that, if recognised as valid, activates the output relays.

In view of the fact that a transmitter should activate only its own receiver and not that of your neighbour, you have to **codify** the signal sent which means that each receiver will recognise its own signal and not others that might be similar.

In traditional systems the code can be selected by means of a set of microswitches in the transmitter (offering only a few thousand combinations) or it can be programmed directly during production (in this case you have a few million different code numbers available); however, the code number is **fixed** which means that each time it is transmitted the same signal is sent.

The fact that the code is sent by radio and that it is always the same does, unfortunately, offer the possibility to people who are up to no good to receive (even at a distance) and record the signal which they can then use as the “key” to open your door.

The “FLOR” system uses a principle that makes your radio control extremely safe.

A technique called “Rolling Code” is used that changes a part of the code each time it is transmitted following a predefined sequence; the code is **masked** with appropriate mathematical functions so there is no logical connection between two consecutive codes. The receiver is always **synchronised** with the transmitter so it will accept only the programmed code sequence. It is completely useless to try and **copy** the signal transmitted with this system because once the code has been “used” the

receiver will only recognise the next one.

From what we have described here it appears essential to keep the code sent by the transmitter and the receiver perfectly synchronised but this is not completely true because there is a code **window** that lets the receiver accept, in sequence, the next code plus a certain number of subsequent codes without ever accepting a code that has already been used!

Even if you exit from the code window, the receiver is designed to re-synchronise itself automatically: when it receives the first code there will be no activation but only storage of the code sent; when the next signal is sent it will be synchronised and activate the outputs. Automatic re-synchronisation is of course possible only if the codes are received following the established sequence.

DESCRIPTION

The “FLOR” system comprises:

- 1, 2 or 4 channel transmitters (FLO1R, FLO2R, FLO4R) and 2 channel (VR of the VERY series)
- Modular receivers (FLOXMR, FLOXM220R)
- Receivers with a terminal connection, 1 or 2 channels (FLOX1R, FLOX2R, FLOXB2R)
- Receivers with plug in connections, 1 or 2 channels (FLOXIR, FLOXI2R)
- Memory card that contains the codes (BM60, BM250, BM1000 - 15, 63 or 255 codes maximum respectively)
- Aerial (ABF - ABFKIT)

INSTALLATION

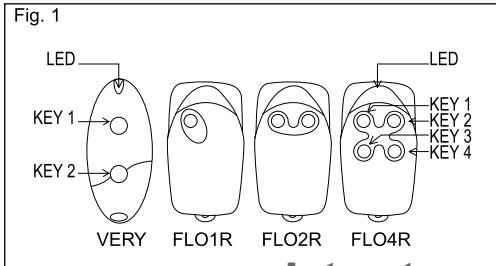
Transmitters:

The transmitters are ready to use, each with their own code number set during construction. To see if they are working properly simply press one of the keys and check that the red LED is flashing which indicates transmission.

The transmitter has a device built into it that controls battery state: press one of the keys and if the battery is fully charged, the LED will give an initial pulse followed immediately by the transmission signal. If the battery is partly flat the LED will give the first pulse and start transmitting only after half a second.

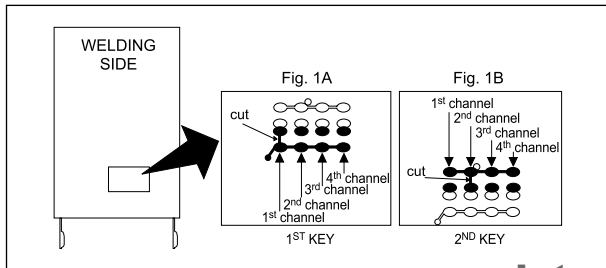
In this case we advise you change the battery as soon as possible.

On the other hand, if the battery is completely flat the LED will flash at half-second intervals without transmitting and the battery must be changed immediately.



Selecting the channel on the transmitter:

It is possible to modify the key-channel connection on the FLOR1 and FLOR2 versions. For key 1, simply cut the track that linked it to the 1st channel, as shown in Fig. 1A, and connect one of the other pads on the right with a drop of solder to link it to the 2nd, 3rd or 4th channel. Do exactly the same for the 2nd key, as shown in Fig. 1B. On **VR** the transmitters in the **VERY** series, the key/channel association cannot be modified.



Modular receivers

Modular receivers, with 12-24 Vac-dc (FLOXMR or 220 Vac (FLOXM220R) power, will let you control up to 4 channels, also simultaneously, and to manage up to 1020 code numbers. Wire up following this sequence:

1-2: POWER: from 10 to 28 Vac-dc (FLOXMR) with jumper. 220 Vac (FLOXM220R).

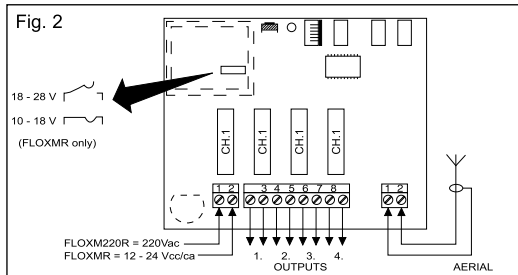
3-4: 1st RELAY OUTPUT: free contact of a normally open relay.

5-6: 2nd RELAY OUTPUT: free contact of a normally open relay.

7-8: 3rd RELAY OUTPUT: free contact of a normally open relay.

9-10: 4th RELAY OUTPUT: free contact of a normally open relay.

1-2: AERIAL: aerial signal input.



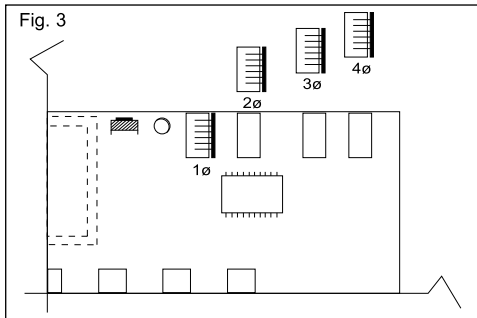
Memory card

Each transmitter has its own code number (selected from more than 250 million) that distinguishes it from all other remote controls. The receiver can receive all the codes but is activated only if that particular code is on the list of “authorised” code numbers on the memory card.

The receivers are supplied with a BM1000 memory card that can contain a maximum of 255 code numbers (255 remote controls are the maximum quantity). A BM60 memory card can also be used

with a maximum of 16 code numbers or a BM250 with a maximum of 63 code numbers.

Other memory cards can be plugged in if required up to a maximum of 4 and, hence, a total of 1020 code numbers. The cards must be plugged-in in order, from the 1st to the 4th. The receiver does, in fact, enter and search codes starting from the first memory card and then goes on to the second if necessary, and so on. If a memory card is not completely full or is completely missing, the subsequent memory cards are disregarded.

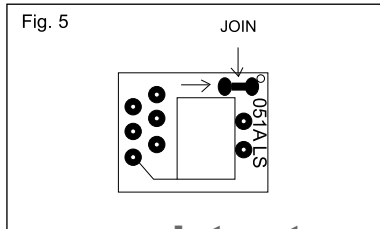
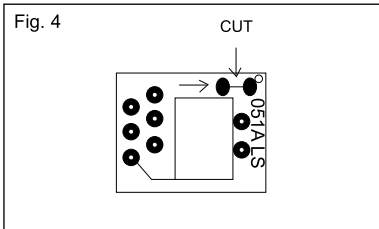


The memory cards must always be of the same type.

When the receiver is turned on it displays the type of memory card being used. If it is a BM60, the LED will flash briefly. If it is a BM250 the LED will flash twice while if it is an BM1000 the LED will flash three times.

All the codes are stored in the memory, so when maximum security is required the code learning function must be disabled (this can also be done remotely). After the code numbers of the remote controls being used have been entered, break the track indicated by an arrow (Fig. 4). If, later on, you wish to enter other code numbers, join the two pads with a dot of solder (Fig. 5)

ATTENTION!!: Turn the receiver off before pulling out or plugging in a memory card



This is a “hardware” type of disabling function, very simple to do but, consequently, very easy to undo by an intruder.

There is also another type of disabling function, a “software” type, more difficult to manage but extremely secure in that only a previously authorised remote control can be used to restore it (see activating/deactivating the 2nd disabling function).

Still on the subject of safety, there is another even more secure type of disabling function, which is controlled by a “PASSWORD”. Only a portable accessory BUPC manages this function.

ADJUSTMENTS AND SETTINGS

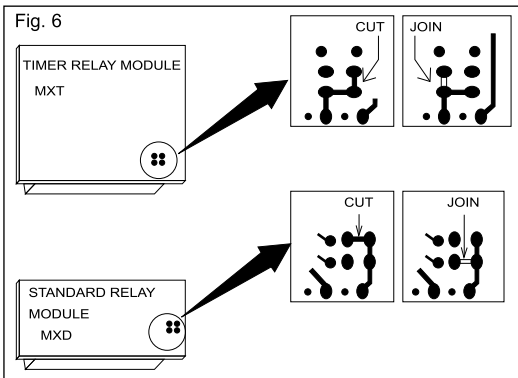
Selection of the relays on the channels

Each receiver can recognise all 4 transmitter channels, also simultaneously.

Association of the channel to the relay is fixed and depends on the relay’s position. Different types of relay modules can be plugged into the connectors which differ in the kind of function they perform. In the normal functioning mode the relay in output is a temporary type, that is, it is energised a few seconds after the transmitter key has been pressed (delay due to code recognition time) and it de-energises 300mS after the key has been released.

Contact in output

The outputs in relay modules are controlled by a free, normally open contact (a contact free from other connections). If a normally closed type of contact is required:



- Cut the “NO” part of the track (Fig. 6).
- Join the “NC” pads with a spot of solder (Fig. 6)

Available relay versions:

MXD = The module has a standard relay that remains active all the while the command signal persists

MXT = The module has a relay with a Timer function. Once activated it will remain active for a time that can be regulated from between 3 to about 300 seconds.

MXP = This module has a Step-by-step type relay. Each command signal changes relay state, from not active to active and vice versa.

Special functions

As described above, relay modules can be mounted with special functions in addition to the standard ones. The receiver is able to manage these special functions completely without using special relay modules. By plugging in normal MXD type modules and activating the receiver's special functions you will be able to have:

1) Step-by-step function

The relay is activated when the transmitter key is pressed and remains energised after it has been released; the relay will be deactivated when the key is pressed again.

2) Timer function:

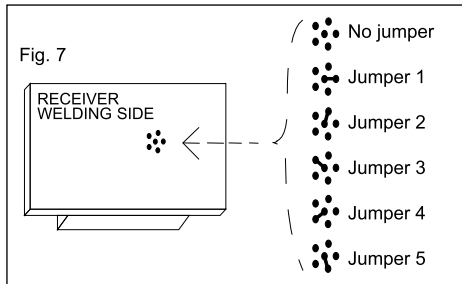
The relay is activated when the transmitter key is pressed and remains energised until the programmed time has elapsed. Time counting starts again each time the transmitter key is pressed and can be terminated early by keeping the key pressed for at least 3 seconds.

3) Anti-theft function:

This is a combined function of outputs 1 and 2; by pressing transmitter key 1 you will have the step-by-step function on channel 1 (suitable for connecting/disconnecting an anti-theft device). On channel 2, besides normal functioning associated with transmitter key 2, there will be a brief activation when channel 1 goes from OFF to ON and two short activations when channel 1 goes from

ON to OFF. This means that a visual or acoustic signal can be connected to channel 2 to signal that the anti-theft device is connected or disconnected.

The special functions must be activated by means of a small spot of solder (Fig.7) according to the following table:



No jumper:

all temporary channels

Jumper 1:

1 step-by-step ...2,3,4 temporary

Jumper 2:

1,2 step-by-step ...3,4 temporary

Jumper 3:

1 timer ...2,3,4 temporary

Jumper 4:

1+2 anti-theft ...3,4 temporary

Jumper 5:

all step-by-step channels

INSTALLING THE AERIAL

The receiver needs an ABF or ABFKIT type aerial to work properly; without an aerial the range is limited to just a few metres. The aerial must be installed as high as possible; if there are metal or reinforced concrete structures nearby you can install the aerial on top. If the cable supplied with the aerial is too short, use a coaxial cable with 52-Ohm impedance (e.g. low dispersion RG58); the cable must be no longer than 10 m. Connect the centre part (core) to terminal 2 and the shield to terminal 1 (in the relative part). If the aerial is installed where the earth connection is not good (masonry structures), the shield's terminal can be connected to earth which will provide a larger range of action. The earth point must, of course, be in the immediate vicinity and be of good quality. If an ABF or ABFKIT aerial cannot be installed, you can get quite good results using the length of wire supplied with the receiver as the aerial, laying it flat and connecting it to terminal 2.

PROGRAMMING

Each transmitter has its own code number (selected from more than 250 million) that distinguishes it from all other remote controls. The receiver can receive all the codes but is activated only if that particular code is on the list of “authorised” codes. A code number can be entered or deleted from this list by means of a “learning” procedure.

The operator has to press a button on the receiver card to activate the procedure: **the operations are timed so first read all the instructions and then carry out the operations one after the other without stopping.**

A small red LED visually indicates the different steps of the procedure.

This LED is the only way to check the various operations or receiver states. Because there is a lot of information to display, there are 2 stable states plus a series of flashes with two speeds:

- LED off: normal functioning mode
- LED on: learning procedure in progress

SLOW FLASHING 1/2 second	
No. flashes	DESCRIPTION
1	The code number received is not among those authorised.
2*	End of learning time without any result.
3	Learning successfully finished (authorised code number).
4	The code number is already on the authorised code list.
5	The list is empty (no codes).
6	The list is full (there is no room for other code numbers).
7	A request has been made to delete a code number that does not exist.
8	Different code numbers were received during the learning phase.
9	Password entered.

FAST FLASHING 1/4 second	
No. flashes	DESCRIPTION
1	When it turns on it means there is a BM60 memory card; it then indicates that the code number received is a "copy" while only "original" codes are valid.
2	When it turns on it means there is a BM250 memory card.
3	When it turns on it means there is a BM1000 memory card; it then indicates that the code is not in the code number window but that it has been re-synchronised.
4	When it turns on it means there are code numbers memorised that do not belong to the Flor version; it then indicates that the code number is not in the code number window and re-synchronisation is stopped.
5	When it turns on it means that an error was found in the memory during reading; it then indicates that the code is not in the code number window and re-synchronisation is impossible.

* If the 2nd type of disabling function is active, the 2nd flash will be longer than the first
 If the 2nd type of disabling function is not active, both flashes will be the same

SLOW FLASHING 1/2 second	
No. flashes	DESCRIPTION
1	The code number received is not among those authorised.
2*	End of learning time without any result.
3	Learning successfully finished (authorised code number).
4	The code number is already on the authorised code list.
5	The list is empty (no codes).
6	The list is full (there is no room for other code numbers).
7	A request has been made to delete a code number that does not exist.
8	Different code numbers were received during the learning phase.
9	Password entered.

FAST FLASHING 1/4 second	
No. flashes	DESCRIPTION
1	When it turns on it means there is a BM60 memory card; it then indicates that the code number received is a "copy" while only "original" codes are valid.
2	When it turns on it means there is a BM250 memory card.
3	When it turns on it means there is a BM1000 memory card; it then indicates that the code is not in the code number window but that it has been re-synchronised.
4	When it turns on it means there are code numbers memorised that do not belong to the Flor version; it then indicates that the code number is not in the code number window and re-synchronisation is stopped.
5	When it turns on it means that an error was found in the memory during reading; it then indicates that the code is not in the code number window and re-synchronisation is impossible.

* If the 2nd type of disabling function is active, the 2nd flash will be longer than the first
 If the 2nd type of disabling function is not active, both flashes will be the same

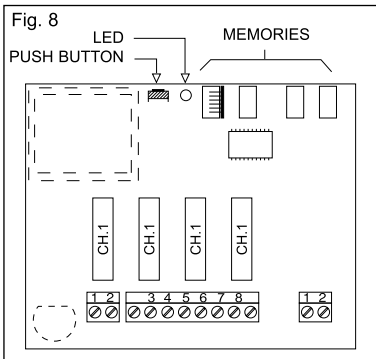
SLOW FLASHING 1/2 second	
No. flashes	DESCRIPTION
1	The code number received is not among those authorised.
2*	End of learning time without any result.
3	Learning successfully finished (authorised code number).
4	The code number is already on the authorised code list.
5	The list is empty (no codes).
6	The list is full (there is no room for other code numbers).
7	A request has been made to delete a code number that does not exist.
8	Different code numbers were received during the learning phase.
9	Password entered.

FAST FLASHING 1/4 second	
No. flashes	DESCRIPTION
1	When it turns on it means there is a BM60 memory card; it then indicates that the code number received is a "copy" while only "original" codes are valid.
2	When it turns on it means there is a BM250 memory card.
3	When it turns on it means there is a BM1000 memory card; it then indicates that the code is not in the code number window but that it has been re-synchronised.
4	When it turns on it means there are code numbers memorised that do not belong to the Flor version; it then indicates that the code number is not in the code number window and re-synchronisation is stopped.
5	When it turns on it means that an error was found in the memory during reading; it then indicates that the code is not in the code number window and re-synchronisation is impossible.

* If the 2nd type of disabling function is active, the 2nd flash will be longer than the first
 If the 2nd type of disabling function is not active, both flashes will be the same

Entering a code number (fast way)

This is the quickest way to enter a code number although it is not very safe because while the code number is being memorised the receiver could receive a signal from another transmitter that is within its range and memorise it.



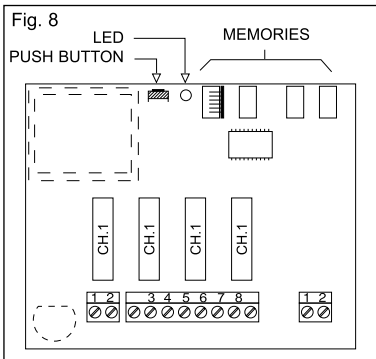
You must take this risk into consideration when deciding how to enter your code number.

This operation will also let you add the code number of a new transmitter to the receiver's memory.

- 1) Press the key on the receiver and hold it down:**
the LED turns on and you must then:
- 2) Transmit the code number until the LED turns off**
pressing any key on the transmitter.
- 3) Now release the transmitter key:**
the LED will turn back on ready for a new operation.
- 4) Repeat the procedure from point 2 for the other transmitters.**

Entering a code number (fast way)

This is the quickest way to enter a code number although it is not very safe because while the code number is being memorised the receiver could receive a signal from another transmitter that is within its range and memorise it.



You must take this risk into consideration when deciding how to enter your code number.

This operation will also let you add the code number of a new transmitter to the receiver's memory.

- 1) Press the key on the receiver and hold it down:**
the LED turns on and you must then:
- 2) Transmit the code number until the LED turns off**
pressing any key on the transmitter.
- 3) Now release the transmitter key:**
the LED will turn back on ready for a new operation.
- 4) Repeat the procedure from point 2 for the other transmitters.**

Entering a code number (normal way)

This operation too will let you add the code number of a new transmitter to the receiver's memory.

- 1) **Press the key on the receiver for a moment**:the LED will turn on for 5 seconds. Within this time you must:
- 2) **Transmit the code number until the LED turns off** pressing any key on the transmitter.
- 3) **Release the transmitter key** and wait a second.
- 4) **Transmit the code to confirm** by pressing any key on the transmitter.

The LED will now flash 3 times meaning that the operation was done properly; if this does not happen, repeat the whole procedure from the beginning. Repeat the whole procedure if you want to enter a new code number.

Entering a code number (remotely)

To enter the code number of a new remote control without using the receiver key you will need an **authorised remote control**(note: the first remote control must always be entered using the receiver key). Now, with the two remote controls, which we shall call NEW (the one whose code number we want to enter) and OLD (the authorised one), position yourself in their range of action and then:

1) **Transmit the NEW code number for at least 5 seconds** pressing any key on the NEW transmitter.

And then slowly:

2) **Transmit an OLD code number 3 times** pressing any key on the OLD transmitter 3 times.

3) **Transmit the NEW code number ONCE to confirm** pressing any key on the NEW transmitter.

Now the new code number has been entered and you can repeat this procedure immediately with another remote control.

ATTENTION!! : this operation enters the new code number in all the receivers within the range of action that recognise the old code number. If there are several receivers nearby with the old code number, turn the ones off that you do not want to receive the new code number.

DELETING A CODE NUMBER

If you want to delete a code number from the receiver's memory proceed as follows:

1) **Hold the key down on the receiver** (about 3 seconds) when the LED turns off let go of the key.

2) **Transmit the code until the LEDs turn off again** pressing any key on the transmitter.

3) **Release the key on the transmitter and wait 1 second.**

4) **Transmit the code to confirm** pressing any key on the transmitter.

The LED will now flash once to indicate that the code has been deleted. If this does not happen repeat the procedure from the beginning.

DELETING ALL CODE NUMBERS

With this operation all the code numbers stored are deleted (emptying the memory), the 2nd learning disabling function is also cancelled and TIMER time is set at 3 seconds.

- 1) **Hold the key down on the receiver**, the LED will turn off after 3 seconds.
- 2) **Release the key during the 3rd following flash.**
- 3) **Wait about 3 seconds.**
- 4) **Press the key as soon as the LED turns back on and release it as soon as it turns off.**

The operation may take several seconds depending on memory type. During this phase the LED will flash quickly followed by 5 slow flashes to indicate that it has been reset and the memory is empty; if this does not happen repeat the procedure from the beginning.

CHECKING THE QUANTITY OF CODE NUMBERS STORED

- **Press the receiver key TWICE.**

- **Count the number of flashes that follow:** each long flash is a full memory; each short flash is a code number (example valid for BM1000 memories:

(2 long flashes+10 short ones => $2 \times 255 = 510$ plus 10 = 520 code numbers).

If there are a lot of code numbers and you want to stop before getting to the end simply press the key for 1 second.

VERIFYING THE 2ND LEARNING DISABLING FUNCTION

Press the key on the receiver for a moment and wait for the 2 flashes that indicate time end (about 5 seconds).

- If the 2nd flash lasts longer than the first it means the disabling function is active.

- If the duration of both flashes is the same it means the disabling function is not active.

ACTIVATING THE 2ND LEARNING DISABLING FUNCTION

1) **Press the key on the receiver for a moment**

2) **Wait for the 2 flashes that indicate time end (about 5 seconds)**

3) Press the key during the 2nd flash and release it as soon as the LED turns off.



2 flashes follow: the 2nd should last longer than the first to indicate that the disabling function is active; if this does not happen, repeat the procedure from the beginning.

REMOVING THE 2ND LEARNING DISABLING FUNCTION

To remove the learning disabling function you will need an authorised remote control.

- 1) Press the receiver key for a moment**, the LED turns on for 5 seconds within which time you have to:
- 2) Transmit the code until the LEDs turn off** pressing any key on the transmitter.
- 3) Release the key on the transmitter** and wait 1 second.
- 4) Transmit the code to confirm** pressing any key on the transmitter; the LED will now flash 4 times meaning that the code is already on the list.
- 5) Press the key during the 4th flash and let it go as soon as the LED turns off.**

Two identical flashes will follow meaning that the disabling state is not active; if this does not happen, repeat the procedure from the beginning.

PROGRAMMING TIMER TIME

The TIMER function has to be active (jumper on 3, see Fig. 7) to programme time. Remove the relay module if you do not want to activate the relays.

- 1) Press key 1 on the transmitter and hold it down** (on an already functioning transmitter) then, within 3 seconds, you must:
 - 2) Press the receiver key and hold it down**
 - 3) Release the transmitter key.**
 - 4) Release the receiver key** after a time equivalent to the time you wish to programme (2.5 h max.)
- The time is now memorised and will not change unless it is programmed again.

N.B. The receiver's normal operation is inhibited while you are programming timer time (channels are not active)

TECHNICAL FEATURES

RECEIVERS:

RECEIVING FREQUENCY:	433.92 MHz controlled with SAW.
INPUT IMPEDANCE:	52 ohm
SENSITIVITY:	greater than 0.5 μ V for a correctly received signal (average range 150-200 m with an ABF - ABFKIT aerial)

FLOXMR

POWER:	from 10 to 28 V direct or alternate
ABSORPTION WHEN NOT WORKING:	15 mA
ABSORPTION OF 1 CHANNEL:	35 mA

FLOXM220R

POWER:	220 Vac + 20%
ABSORPTION WHEN NOT WORKING:	2 VA
DECODING:	52-bit digital (4.500.000.000.000.000 combinations) up to 4.
No. CHANNELS	
RELAY CONTACT (MXD, MXT, MXP):	normally open max 0.5A-50 V~
ENERGISING TIME	reception of 2 complete code numbers (200 mS)
DE-ENERGISING TIME:	300 mS from the last valid code number

WORKING TEMPERATURE
SIZE:
WEIGHT:

-10°C + 55°C
147 x 118 x 52 mm
FLOXM220R approx. 300 g
FLOXMR approx. 200 g

TRANSMITTERS SERIES FLOR:

CARRIER FREQUENCY:
RADIATED POWER:
CODING:
CHANNELS:
POWER:
AVERAGE ABSORPTION:
WORKING TEMPERATURE:
SIZE:
WEIGHT:
APPROVAL:

433.92 MHz controlled by SAW.
100µW
52-bit digital (4.5x10¹⁵ total combinations)
1,2 or 4 simultaneously
12 Vdc +20% - 40% with a 23A type battery
25mA
-40°C +85°C
72 x 40 h 18
40g
to I-ETS 300 220 specifications

TRANSMITTERS SERIES VERY:

CARRIER FREQUENCY:
RADIATED POWER:
CODING:

433.92 MHz controlled by SAW.
100µW
52-bit digital (4.5x10¹⁵ total combinations)

CHANNELS:
POWER:
AVERAGE ABSORPTION:
WORKING TEMPERATURE:
SIZE:
APPROVAL:

2 simultaneously
6 Vdc with a type battery litio
10mA
-40 °C +85 °C
65 x 30 h 10 mm.
I-ETS 300 220

MEMORY CARD

No. CODES:
MEMORY TYPE:
MEMORY LIFE:
CODE READING TIME:
SIZE:
WEIGHT:

15 (BM60), 63 (BM250), 255 (BM1000)
EEPROM with serial access
40 years or 1 million changes
2 mS per code
13x11 h9
1 g

ACCESSORIES

BUPC:

Code control and programming unit