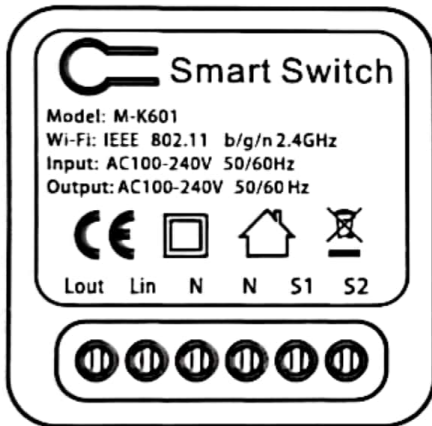


# Wi-Fi Smart Switch



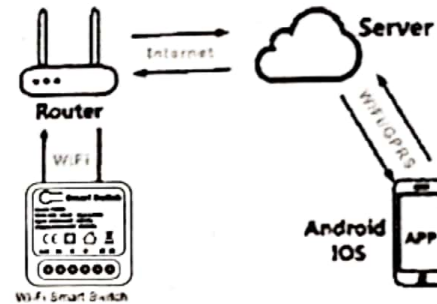
Wi-Fi DIY Smart Switch

## Parameter:

Input: AC 100-240V 50/60Hz  
Output: AC 100-240V 50/60Hz  
Wi-Fi: IEEE 802.11 b/g/n 2.4GHz  
Material: PC V0  
Size: 42.6X42.6X20MM

## Checklist before using the device

- Your smart phone or tablet has connected to the 2.4G WiFi internet.
- You have the correct WiFi password.
- Your smart phone or tablet must have access to APP Store, Google Play.
- Make sure that your router is MAC-open.



## User Guide

- ① Start with "Smart Life" APP.



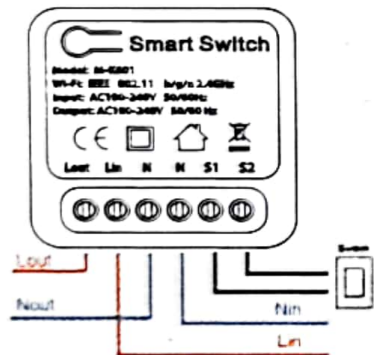
- ② Register Smart Life account.
- ③ If you have Smart Life account, just log in.



- ④ Please wire the device according to the marking on the cover.

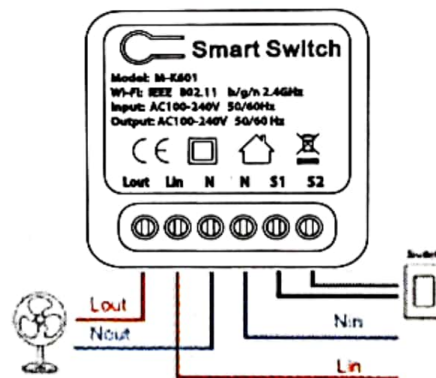
ON/OFF operating principle:

The connected appliances work/stop through live wire power on/off. The device must be powered by L and N



Warning: S1 and S2 can only be connected to the two ends of the wall switch, and cannot be connected to strong power such as zero-fire line

4.1 The wiring diagram to connect the electrical appliance.



4.2 The wiring diagram to connect the light.

- ⑤ Power on after completion of wiring, and the device is turned on by default, Press and hold the button for about 5s seconds until the WiFi blue LED blinks fast.

- ⑥ Enter the App, tap "+" in the upper right of the page to enter network connection page.
- ⑦ Please make sure the device's indicator light rapidly flashes (2 times per second) tap to go on to the next step.
- ⑧ Input your WiFi & password.
- ⑨ Name your device.
- ⑩ When the WiFi LED is on, the device is online. Start to control now!